

TOLERANCE	ANGLE	SCALE	UNIT	NAME
DIMENSION	DR. J. Nagashima	DATE	DATE	3P-PLUG
L ± 0.3	CH. T. Aizawa	DATE	DATE	PART NO. VM06000-C0
±0.5	APP. S. Nakayama	DATE	DATE	DRAWING NO. MC0284CB

Hewtech HIRAKAWA HEWTECH CORP.	
MGT. 16 '10	DATE
1 13.20	SIGN
LET	REVISION

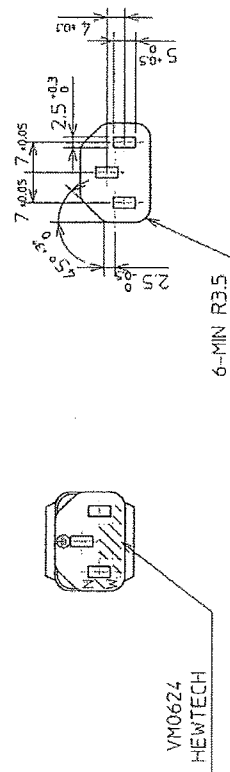
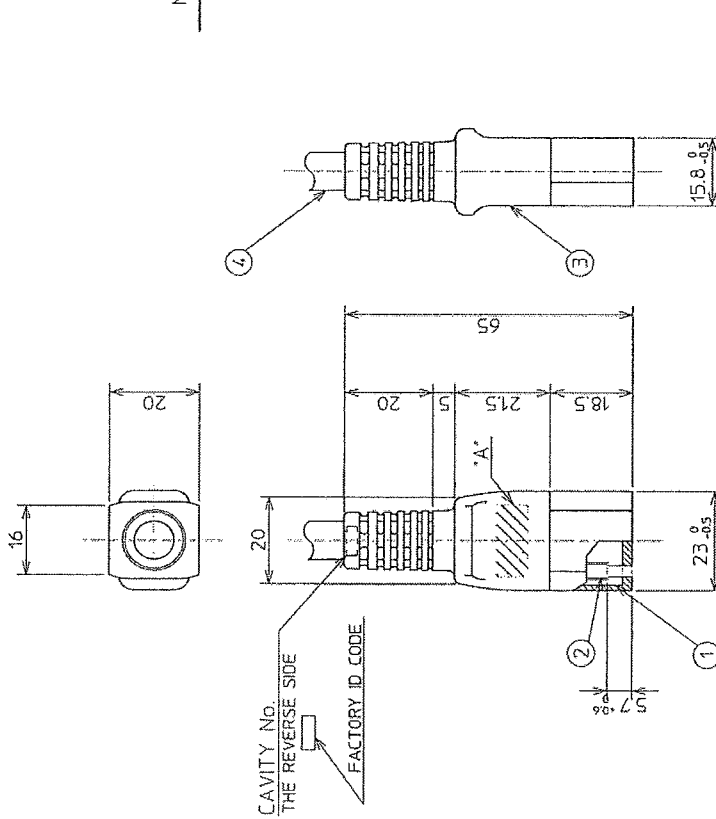
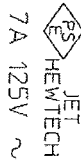
#A151-00

IT	NAME	MATERIAL	REMARK
1	INNER BASE	#66NYLON	C-485A
2	CONTACT SLEEVE	C519IR-1/2H 1-0.6	B-202A
3	BODY	PVC	
4	CORD	3x8AWG	

MARKING OF THE REVERSE SIDE AREA "A"



MARKING OF AREA "A"



LET	REVISION	DATE	SIGN	Hewlett HIRAKAWA HEWTECH CORP.	TOLERANCE	ANGLE	SCALE	UNIT	NAME
△					DIMENSION	DR. JINOSHINGI	1/16"	JUL 13 '07	UL PSE 7A 125V
△					L.S. 63	CH. <i>S. Ogawa</i>		JUL 17 '07	3P-CONNECTOR
△						APP. <i>S. Anko</i>			PART NO. VM06240-A0
△									DRAWING NO. MC0294CA

R51-00